

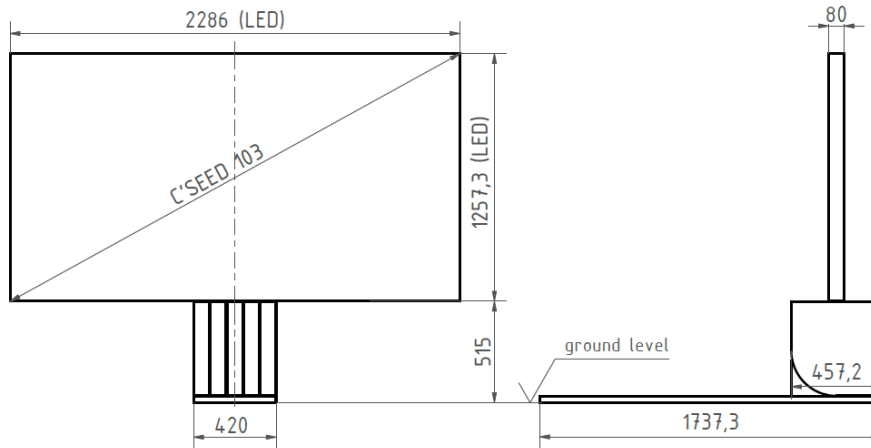


# IMPLEMENTATION CONCEPT

C SEED N1  
INDOOR 4K  
103

C/SEED

THE UNFOLDING TV



**PHYSICAL DIMENSIONS TV**

LED TV size (diagonal)	inch/mm	103 / 2609
LED TV size (width)	inch/mm	90 / 2286
LED TV size (height)	inch/mm	49.5 / 1257.3
Standard LED screen (depth)	inch/mm	3.2 / 80
LED TV area	sq.ft./m <sup>2</sup>	30.9 / 2.87
Total system weight		420Kg / 925lb

**TV SYSTEM**

Resolution		4K (UHD)
Brightness	nits	800
Pixel pitch	mm	0.4 virtual
Processing depth	bit	16 per color
Color spectrum	colors	64 billion
Refresh rate	Hz	3,840
Lifespan LED	h	100,000
Contrast ratio		30,000:1
Color temperature	K	3,000 - 10,000
Viewing angle- horizontal   vertical	degrees	170   170
Operating temperature range		C°: 0 to +40   F°: +32 to +104
Broadband speaker peak out	W	2 x 100
Broadband speaker frequency range	Hz	60 - 22,000

**INPUT / OUTPUT**

Video input	HDMI2.0/DP1.4
Serial in/output	2 x USB
Audio output	pre-amp, 9.2, independent sub
Network connection	1 x RJ45

**OPERATION**

Power supply LED screen	Single-Phase/Split-Phase (US)	240V/120V+PE/60A(*32A)/50-60Hz
Input power max   typical	W/m <sup>2</sup>	500   160
Power consumption max   typical	kW	1.5   0.5

\*only after review and approval of C SEED engineering

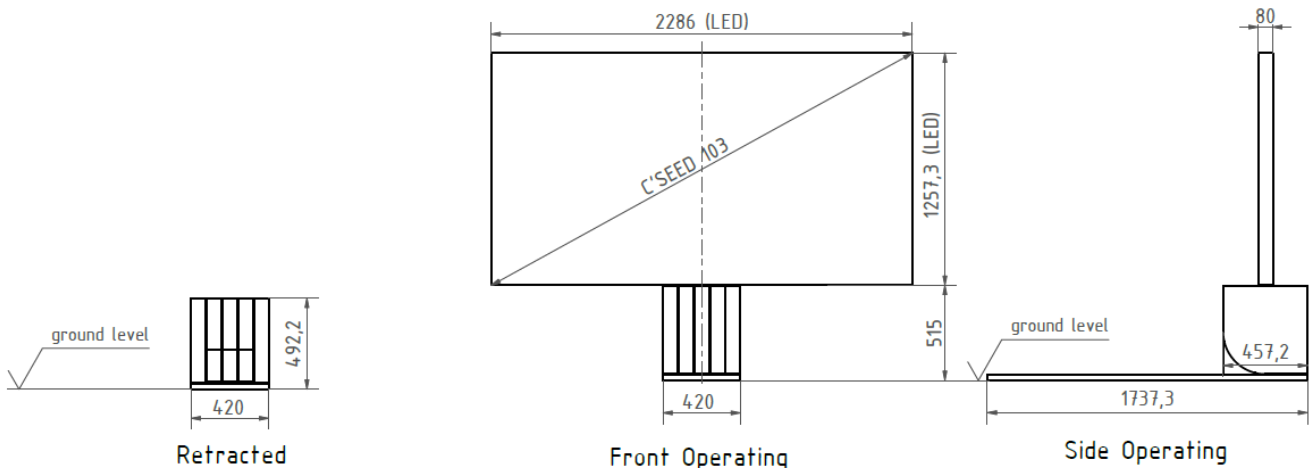
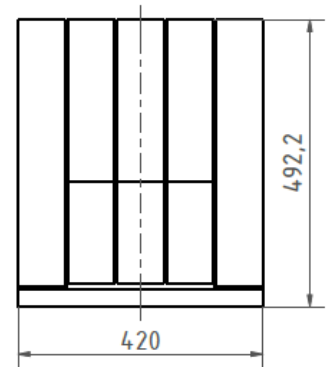
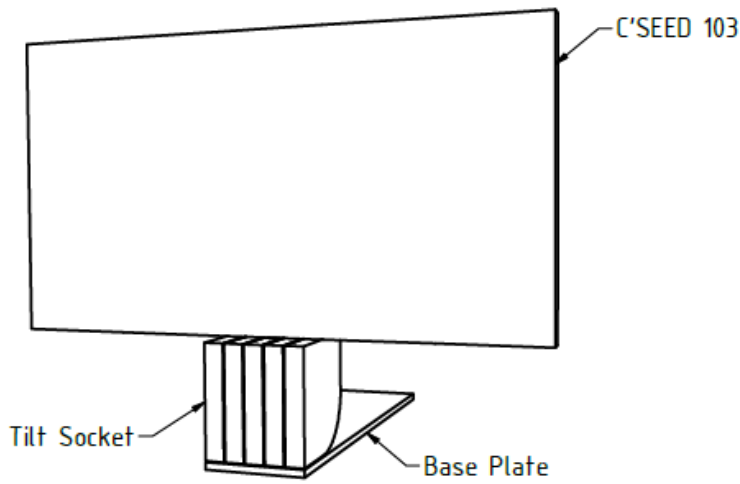
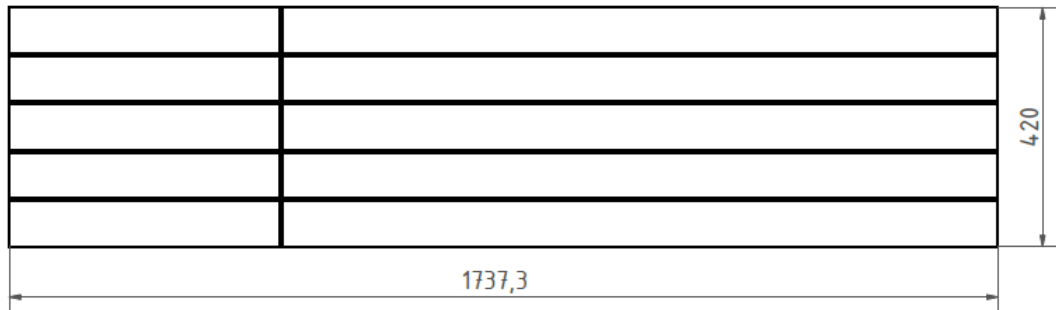
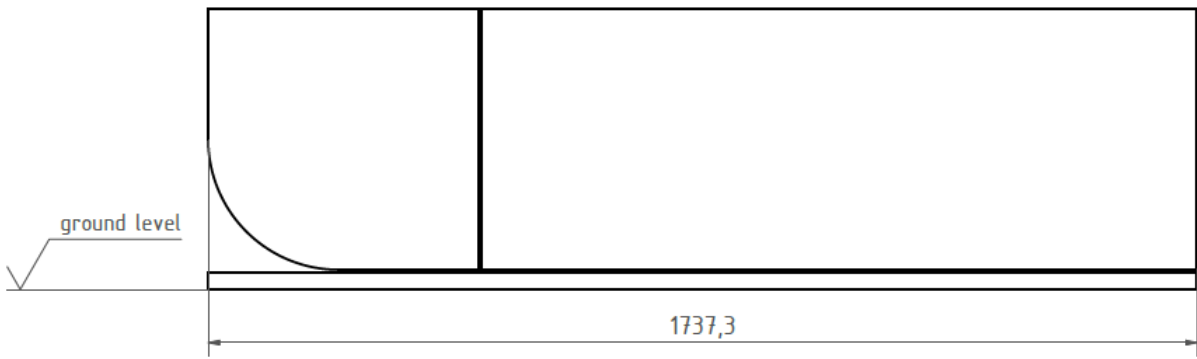
**SPECIFIC FEATURES**

Adaptive Gap Calibration (AGC)	TV-Rotation options: 180° left (counterclockwise) or 90° left & right
4K LED HDR10+ Controller	Remote Control 9.2 AV-Receiver

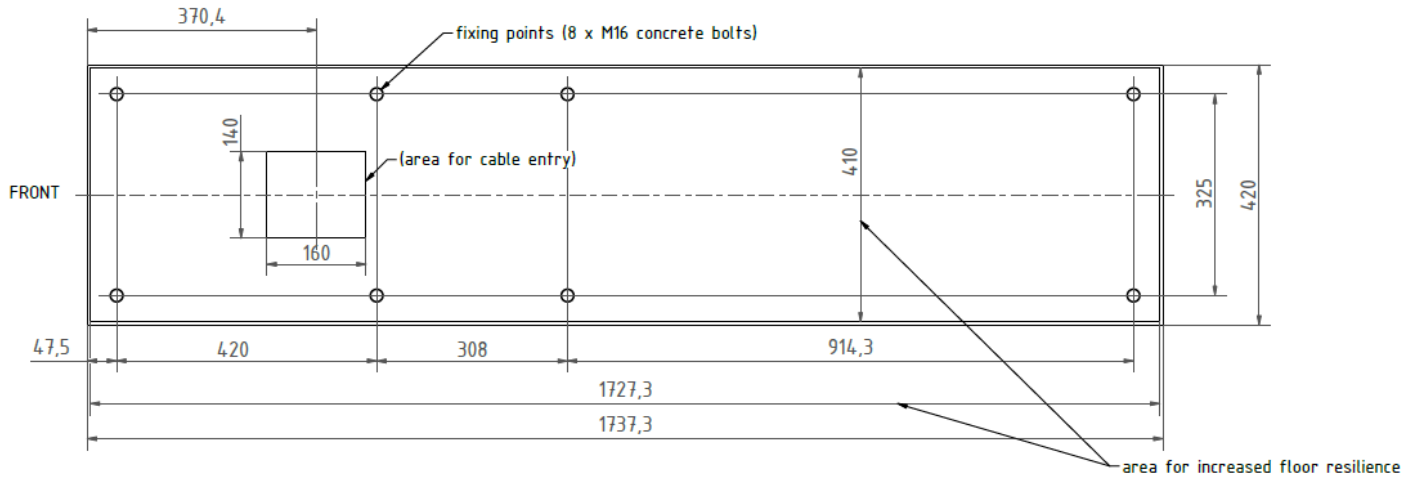


**ACCORDING TO EXACT POSITIONS OF CABLING CONDUITS:**

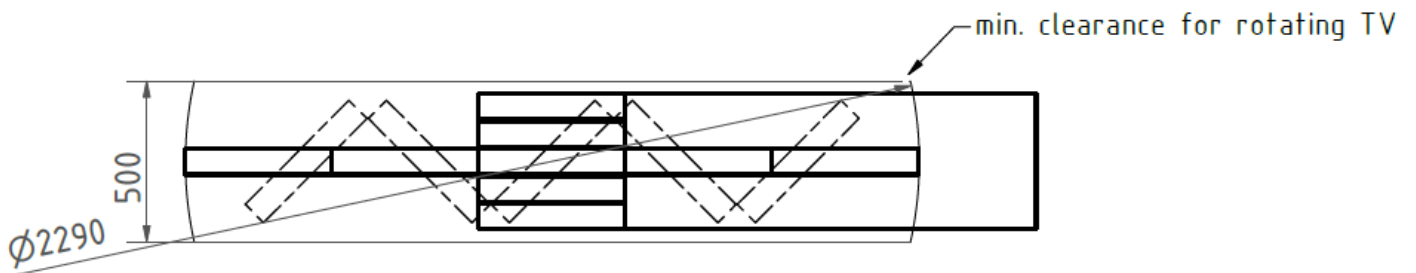
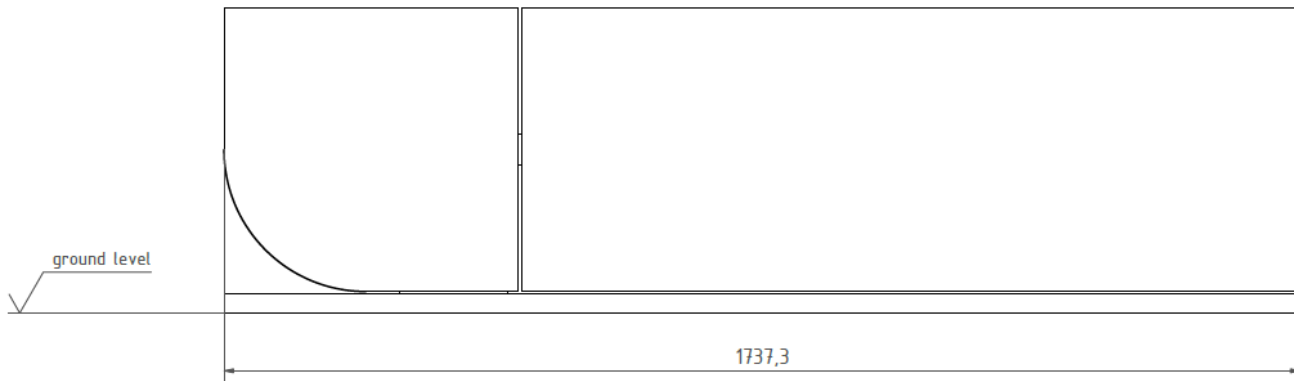
- C SEED N1 to AV-Rack in Technical room (max. 50 m | 160 feet)



bottom view



side view



## Earthing

---

- Earthing of the TV well (min. 3 times)

## TECHNICAL ROOM

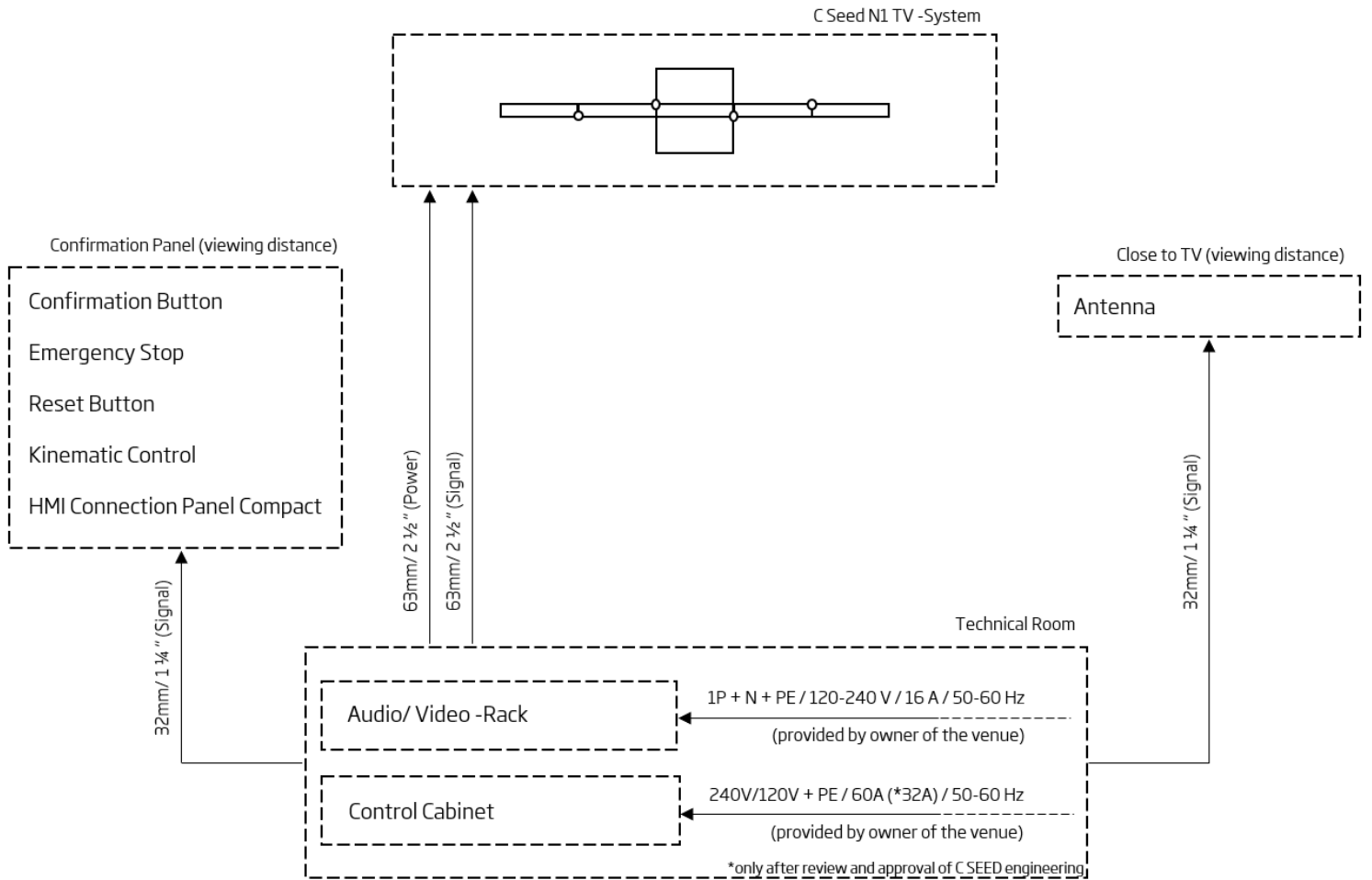
---

max. 50m | 160 feet to TV system

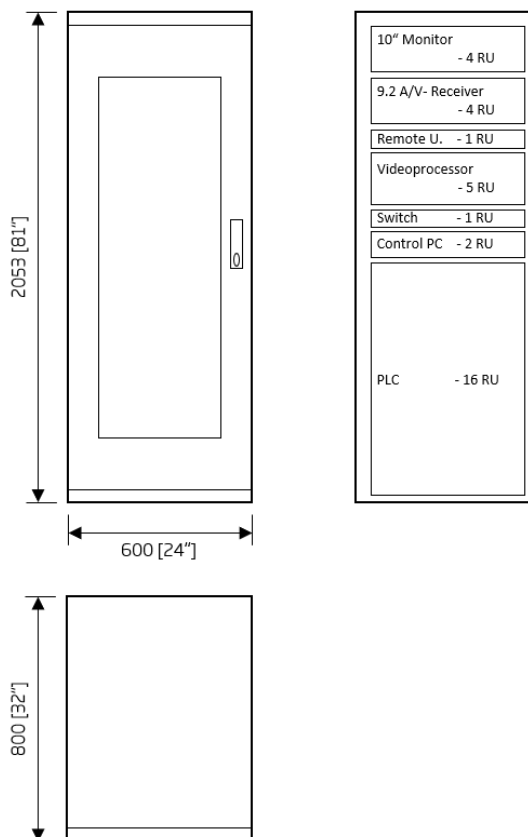
## AV-Rack (will be supplied by C SEED)

---

- AV-Rack with 42RU - 600x2053x800 mm | 24x81x32 inches | WxHxD
- Feed cable with 5 pins or 4 pins plus additional earthing
- Power protection with a "fault-current circuit breaker AC/DC sensitive and electric frequency converter capable"
- SAT | Video | TV signals to be connected via HDMI inputs
- Internet connection as of beginning of installation (permanent!)



## AV- Rack



**SERVICES PROVIDED BY AND  
AT THE EXPENSES OF THE OWNER OF THE VENUE**

---

- Power Supply:  
Single-Phase/Split-Phase (US): 240V/120V+PE/60A(\*32A)/50-60Hz  
\*only after review and approval of C SEED engineering
- Internet connection at the AV - Rack as of beginning of the installation
- WIFI I WLAN at the venue as of beginning of the installation
- Cabling ducts & conduits for TV system according C SEED electrical conduits plan (project specific)
- Cables and cable installation according to C SEED electrical cable plan (project specific)
- Sat I video I TV signals at the AV-Rack
- Connecting Power Supply by local electrician
- Electrical test protocol according to international standards of all cables must be provided to C SEED prior installation

**SERVICES PROVIDED BY C SEED**

---

- Site visit - meeting with construction company, civil engineer etc.
- Project related engineering package
- Coordination with local electrician
- Coordination with local sat I video I TV professional
- Implementation, programming & testing of the C SEED N1 103
- TCP/IP control protocol for home automation
- Operation training for technical staff of the venue
- Handover & Acceptance Protocol

**Contacts**

---

Owner representative \_\_\_\_\_

Construction company of the venue \_\_\_\_\_

C SEED Project manager \_\_\_\_\_

Vers.: 4.1/HP/25.07.23

“The information and specification contained in the implementation concept are information purpose only and are subject to change without prior notice”