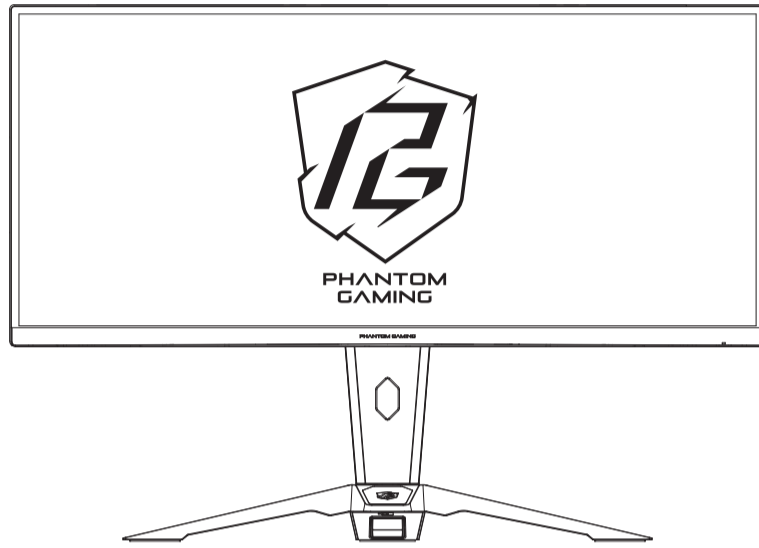
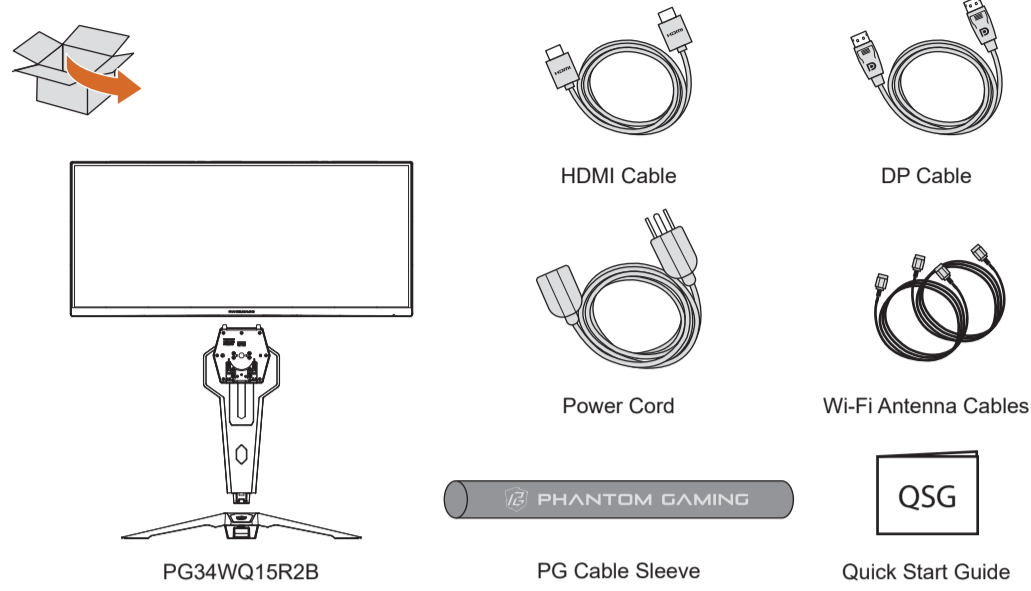


# PG34WQ15R2B CURVED GAMING MONITOR

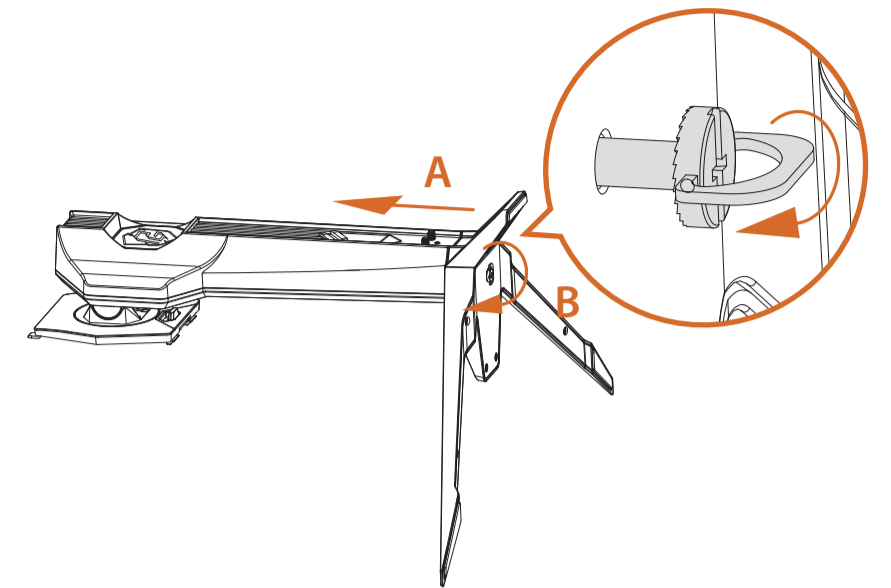


QUICK START GUIDE

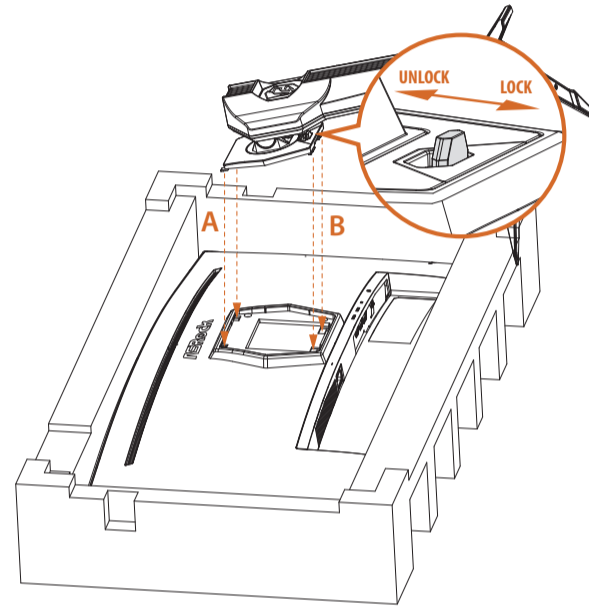
## 1 UNPACKING



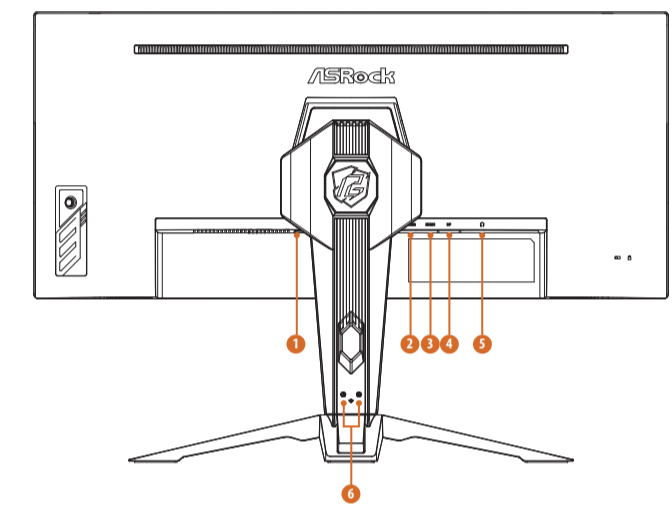
## 2 ATTACHING THE BASE & TIGHTENING THE SCREW



## 3 INSTALLING THE MONITOR STAND

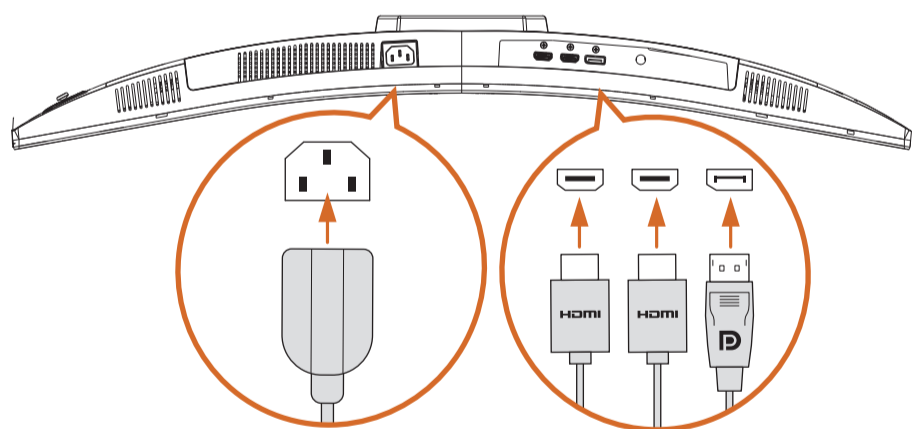


## 4 I/O PORTS



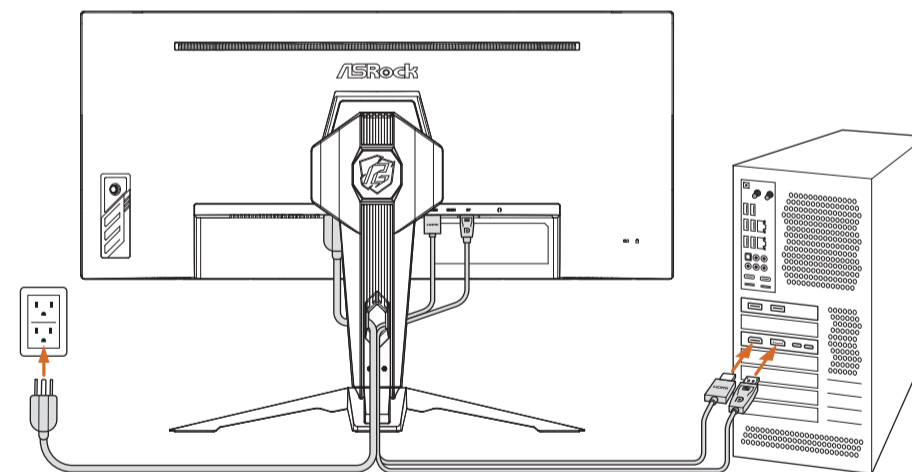
No.	Item
1	AC Input
2	HDMI Input
3	HDMI Input
4	DisplayPort Input
5	Audio Output
6	Antenna Ports (SMA Connectors)

## 5 CONNECTING CABLES

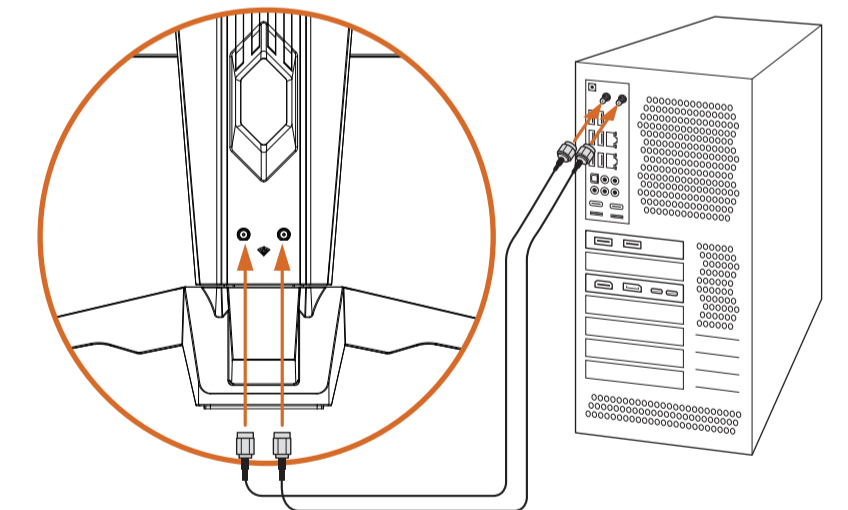


## 6 CONNECTING THE MONITOR TO A PC

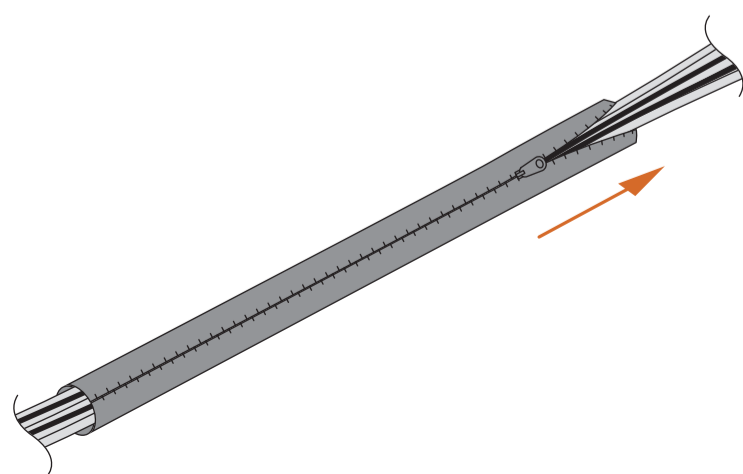
\*Use either the HDMI or the DisplayPort connection for display.



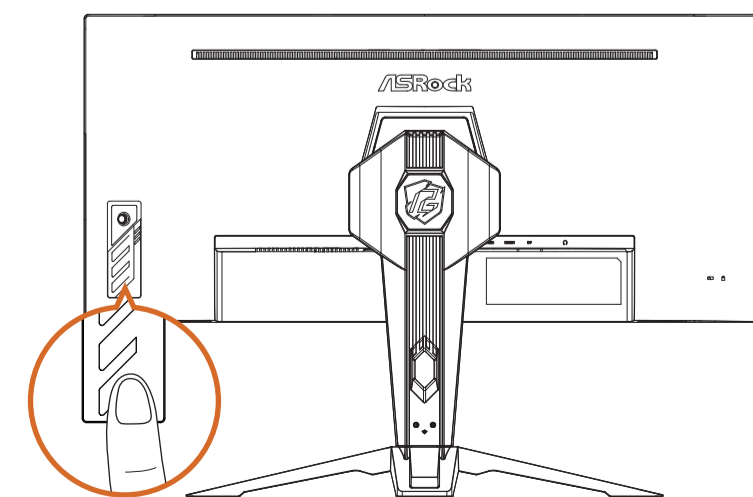
## 7 CONNECTING ANTENNA CABLES BETWEEN THE MONITOR AND THE ANTENNA PORTS ON PC.



## 8 MANAGING YOUR CABLES



## 9 POWERING ON



## 10 ADJUSTING THE TILT & SWIVEL ANGLE

